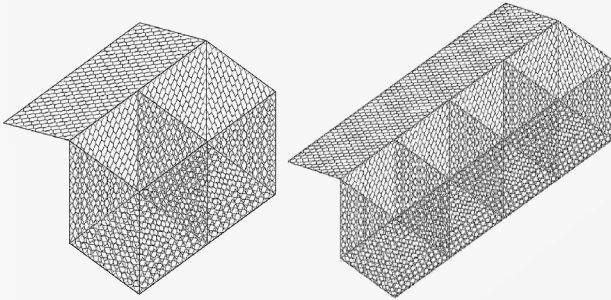


SOLID GABION

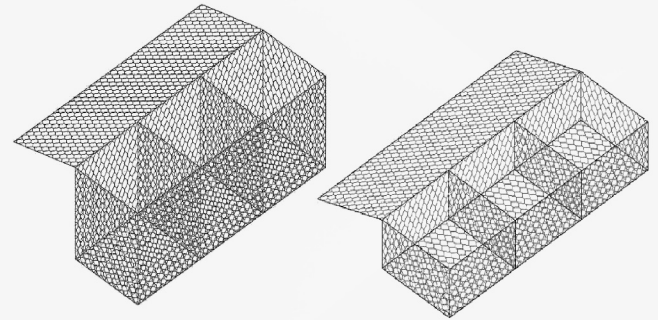


SG 211
2 x 1 x 1m

SG 411
4 x 1 x 1m

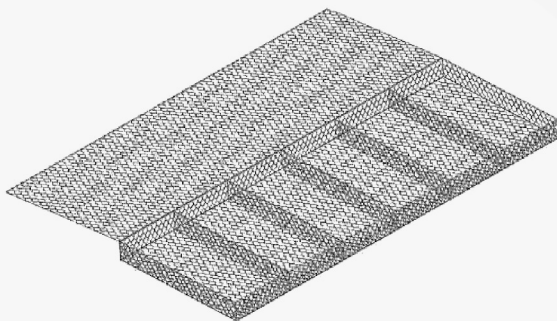
SPECIFICATIONS				
Standard	Non-DPWH Standard		DPWH Standard (Blue Book)	
Body Wire	2.7mm ϕ	2.7mm ϕ	3.05mm ϕ	2.7mm ϕ + 1mm PVC
Selvedge Wire	3.4mm ϕ	3.4mm ϕ	3.80mm ϕ	3.4mm ϕ + 1mm PVC
Tie Wire	2.2mm ϕ	2.2mm ϕ	2.2mm ϕ	2.2mm ϕ + 1mm PVC
Mesh Opening	100 x 120mm	80 x 100mm		
Zinc Coating	ASTM A 641, Weight of required zinc coating conforms with DPWH Blue Book			
Tensile Strength	ASTM A 370, Minimum of 350 MPa as per DPWH Blue Book			

SPECIFICATIONS	
Standard	DPWH Standard (Blue Book)
Body Wire	3.05mm ϕ
Selvedge Wire	3.80mm ϕ
Tie Wire	2.2mm ϕ
Mesh Opening	80 x 100mm
Zinc Coating	ASTM A 641, Weight of required zinc coating conforms with DPWH Blue Book
Tensile Strength	ASTM A 370, Minimum of 350 MPa as per DPWH Blue Book



SG 311
3 x 1 x 1m

SG 315
3 x 1 x 0.5m



SG 623
6 x 2 x 0.3m

SPECIFICATIONS		
Standard	DPWH Standard (Blue Book)	
Body Wire	2.2mm ϕ	2.2mm ϕ + 1mm PVC
Selvedge Wire	2.7mm ϕ	2.7mm ϕ + 1mm PVC
Tie Wire	2.2mm ϕ	2.2mm ϕ + 1mm PVC
Mesh Opening	60 x 80 mm	
Zinc Coating	ASTM A 641, Weight of required zinc coating conforms with DPWH Blue Book	
Tensile Strength	ASTM A 370, Minimum of 350 MPa as per DPWH Blue Book	

GEOTEXTILE (FILTER CLOTH)

PRODUCT DATA SHEET

ITEM	UNIT	INDEX		
		150 g/m ²	250 g/m ²	400 g/m ²
WEIGHT PER SQUARE METER	g/m²	150 g/m²	250 g/m²	400 g/m²
THICKNESS	mm	1.2	1.9	2.8
BREAKING STRENGTH	KN/m	7.5	12.5	20.5
ELONGATION AT BREAK	%	40~80	40~80	40~80
CBR MULLEN BURST STRENGTH	KN	1.4	2.2	3.5
TEAR STRENGTH	KN	0.21	0.35	0.56
SIEVE SIZE O ₉₀	mm	0.07~0.2	0.07~0.2	0.07~0.2



GABION TIE WIRE

High Zinc Coating For Gabion Projects

2.2mm zinc coating

2.2mm + 1mm pvc coated 50kgs/roll

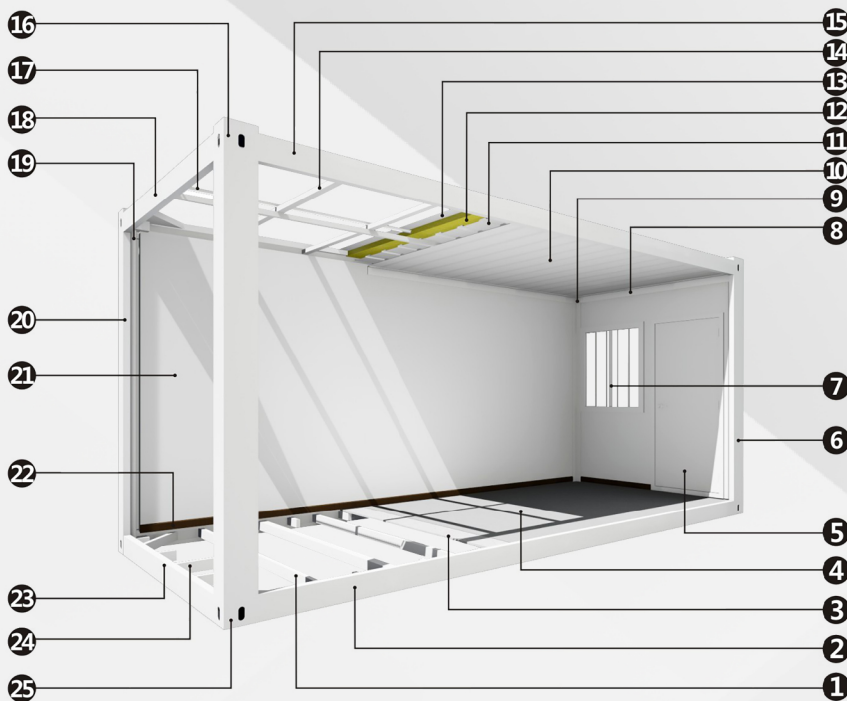


The information contained in this document is a general guide to the use of such products, and is to the best of our knowledge, true and accurate. The values are based on testing conducted by the Quality Assurance and Quality control unit from our factory. Solid Gabion reserves the right to make modifications to its products without notice.

SOLIDKON FOLDING CONTAINER

SPECIFICATION

1. Bottom Cross Beam, 80x80x1.8mm, 80x40x1.8mm galvanized Steel
2. Bottom Beam, 160x3mm galvanized Steel
3. 18mm fiber cement board
4. 1.6mm PVC Floor leather
5. Steel Door, 880x2020mm
6. Corner Fitting, 160x210x160x4mm
7. UPVC Window, double glass 5+9A+5, 925x1100mm with mosquito netting
8. Inside Trim, 0.476mm Steel sheet
9. Inside Trim, 0.476mm Steel sheet
10. 0.476mm Steel sheet Ceiling
11. Middle Strong Steel Plate, 0.326mm Steel sheet
12. 100mm Glass wool 14kg/m3
13. Galvanized Steel Plate, 0.476 Steel sheet
14. Top Cross Beam, 80x40x1.5mm galvanized Steel
15. Top Beam, 160x2.5mm galvanized Steel
16. Top Corner Fitting, 160x210x160x4mm
17. Top Cross Beam, 80x40x1.5mm galvanized Steel
18. Top Beam, 160x2.5mm galvanized Steel
19. Ø50mm PVC Downspouts
20. Angle Steel Pillar, 210x160x2.75mm galvanized Steel
21. 50mm rock wool sandwich panel, 0.376mm Steel sheet
22. PVC skirting
23. Bottom Beam, 160x3mm galvanized Steel
24. Bottom Cross Beam, 80x80x1.8mm, 80x40x1.8mm galvanized Steel
25. Bottom Corner Fitting, 160x160x160x4mm



USAGES

- Storage
- Field Office
- Farm House
- Medical Clinic
- Portable Houses
- Transient Housing
- Temporary Emergency Shelter
- Police/ Military/ Barangay Outpost



SOLIDKON PORTALET FEATURES

DIMENSION	G.W. (KG)	N.W. (KG)	LOADING	
			20GP	40HQ
1.1m x 1.1m x 2.3m	98	95	25	55

ADVANTAGES

- Cost efficient
- Long term use
- Easy to assemble
- Saves transportation cost
- All accessories are included

STRUCTURE

- Modularized
- Aluminum main structure



EXHAUST FAN &
ELECTRIC SYSTEM



VENT HOLE



ANTI-SKID ALUMINUM
PLATE FLOOR



DOOR KNOB



CERAMIC
WASH BASIN



TOILET SEAT